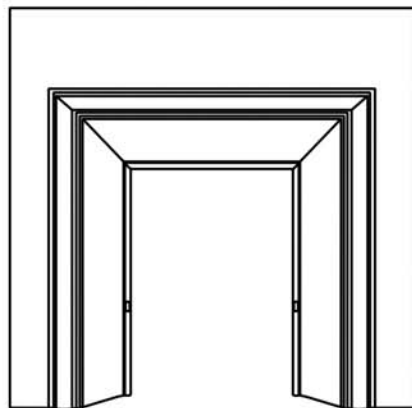


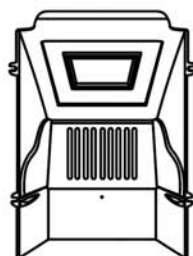


The Royal Insert

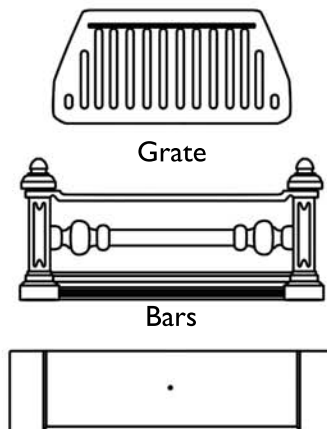
Contents



Fireplace Fascia

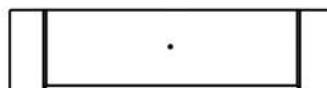


Fireplace Back

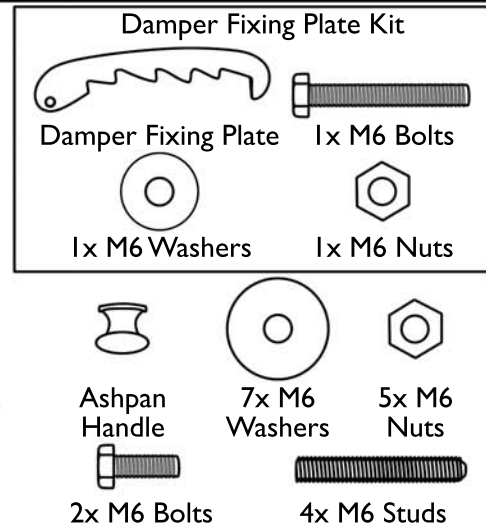


Grate

Bars

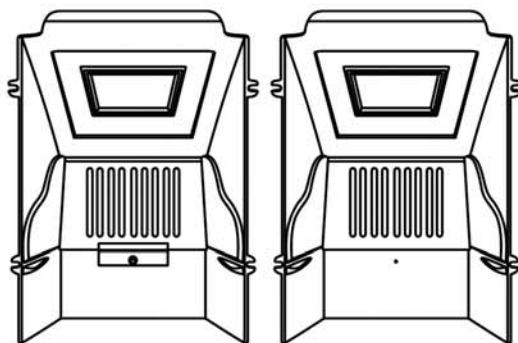


Ashpan Cover



Please note, a 10mm spanner is required to assemble this fireplace.

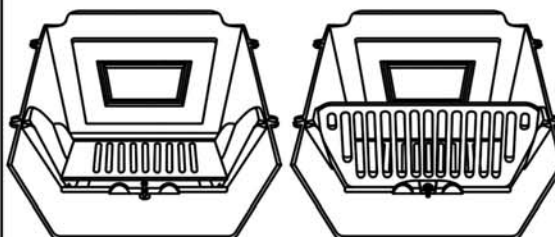
1 GAS USAGE SOLID FUEL USAGE



For Gas Usage: Do not remove Cast Iron Firebrick Retaining Plate.

For Solid Fuel Usage: Remove Cast Iron Firebrick Retaining Plate from the front of the Fireplace Back by undoing bolt. The plate can then be discarded.

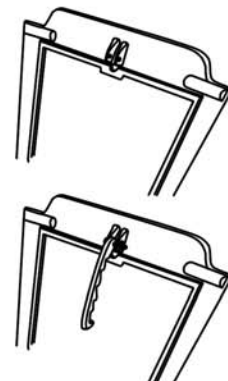
2 SOLID FUEL USAGE



Insert Grate into the grooves on the Fireplace Back. Secure and tighten with M6 Nut, M6 Bolt and M6 Washer.

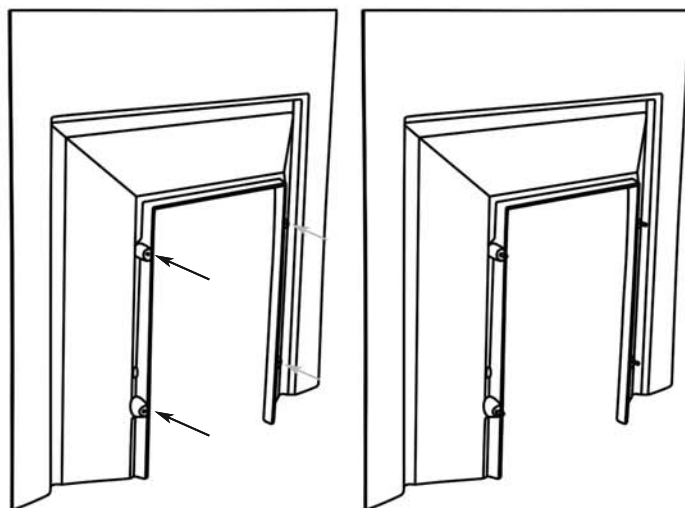
THIS STEP IS NOT REQUIRED FOR GAS USAGE.

3



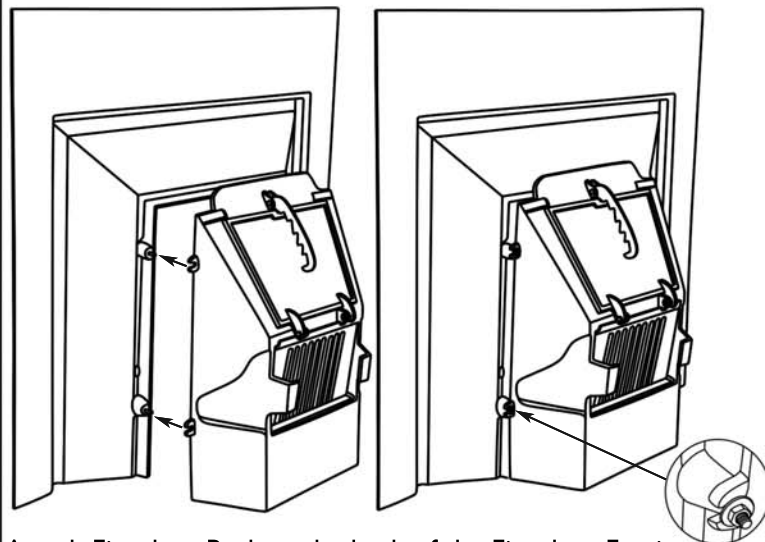
Attach Damper Fixing Plate Hook using M6 Bolt, M6 Nut and M6 Washer.

4



Insert the 4 M6 Studs into the back of the Fireplace Fascia.

5

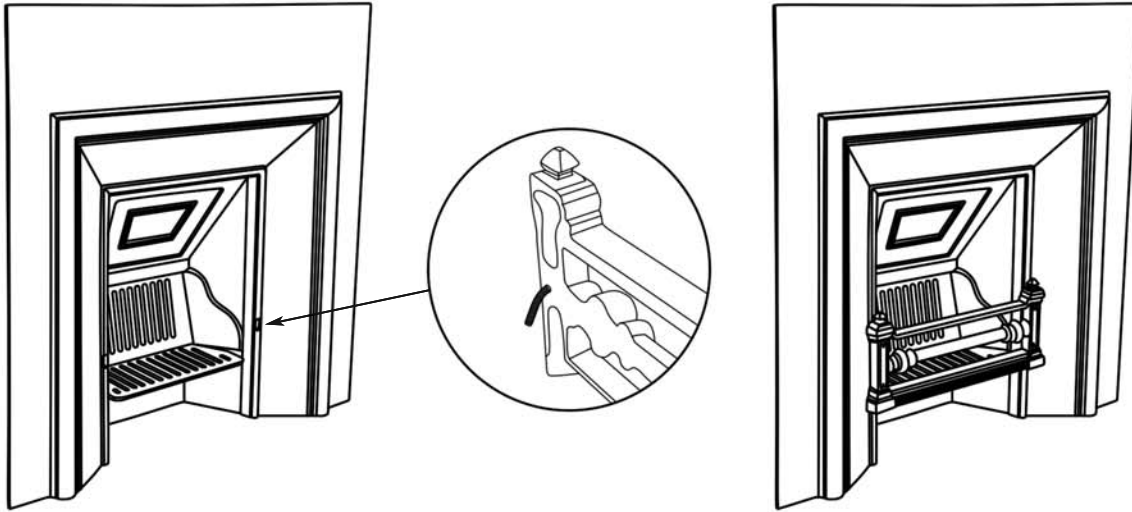


Attach Fireplace Back to the back of the Fireplace Fascia, ensuring that the M6 Studs pass through the fixing brackets on the Fireplace Back. Secure and tighten using 4 M6 Washers and 4 M6 Nuts.



The Royal Insert

4

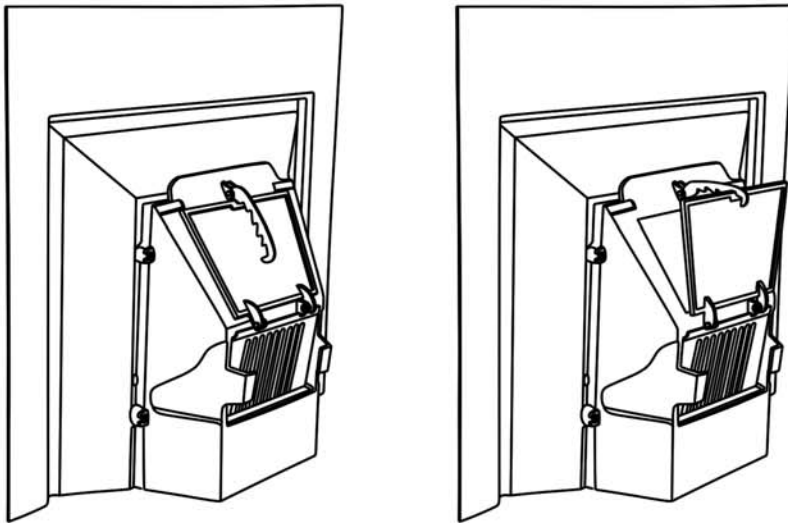


Slot the Bars into the groves on the front of the Fireplace Fascia. No Grate Required for Gas Usage.

SOLID FUEL USAGE

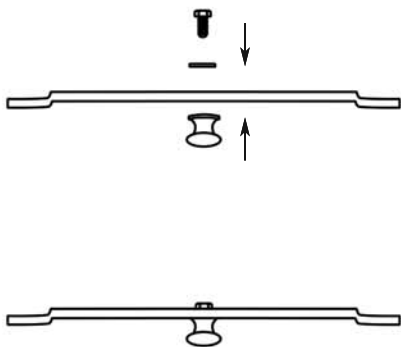
GAS USAGE

5



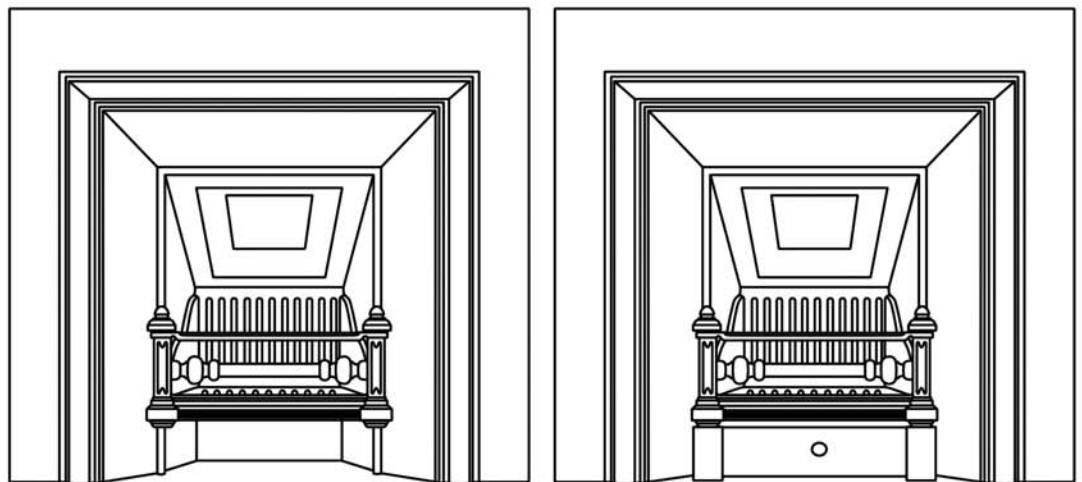
Gas Usage: The Damper Plate must remain fixed open for Gas Usage.

6



Attach the Ashpan Handle to the Ashpan using an M6 Washer and M6 Nut.

7



To complete, place Ashpan Cover below Grate and Bars on the front of the Fireplace.