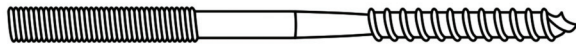
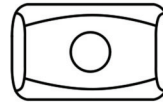


# Wall Stay Fitting Instructions

## Contents



Threaded Bar

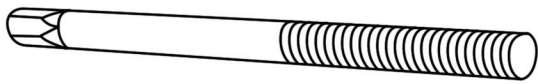


Clamping Plate (x2)



Nut (x2)

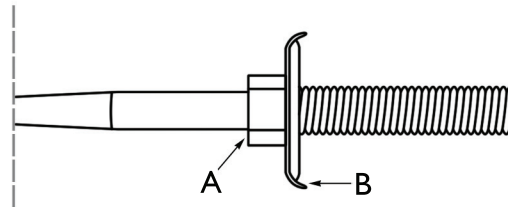
1



Using a wall fixing plug appropriate to the wall type being fixed to, wind the screw end of the retaining bar into the wall fixing.

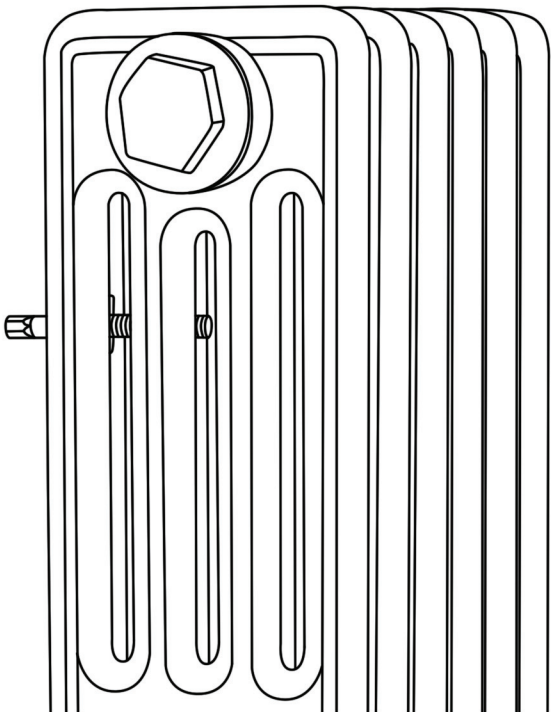
**Important – Please ensure the wall is of suitable strength to hold the fixing safely.**

2



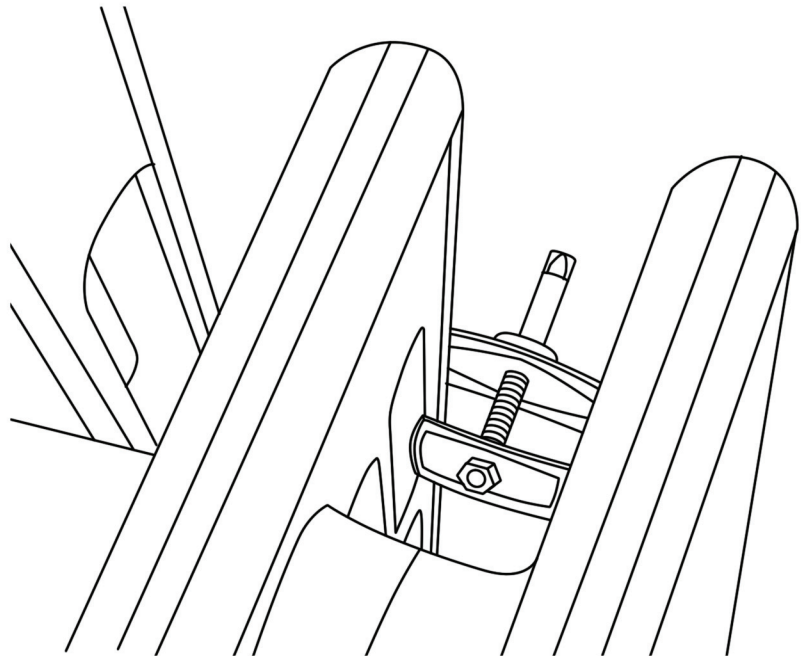
Screw 1x Nut (A) onto the Threaded Bar, followed by 1x Clamping Plate (B). The Clamping Plate can be used in either a vertical or horizontal position. Radiators with a smaller space between each section, the Clamping Plate should be positioned Vertically. Radiators with a larger space between each section, the Clamping Plate should be positioned horizontally.

3



The radiator should now be moved into position, making sure that it is sat against the Clamping Plate.

4



Attach the Clamping Plate onto the Threaded Bar, this should sit inside the radiator, between the columns. Attach the Nut to the Threaded Bar and tighten to the Clamping Plate. The Threaded Bar can be cut flush to the Nut.

*Carron*

[www.carronheating.co.uk](http://www.carronheating.co.uk)  
T: 01400 263 319 | E: [sales@carronheating.co.uk](mailto:sales@carronheating.co.uk)