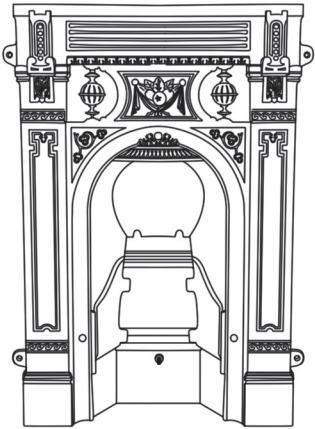


# The Victorian Small Combination Assembly Guide

## Contents



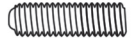
Fireplace Fascia



Grate



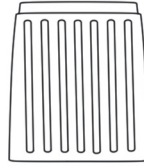
Shelf



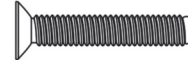
1x M6 Grub



Damper Plate



Fire Brick



2x M8 Bolt



2x M8 Nut



2x M8 Washer



Ashpan Handle



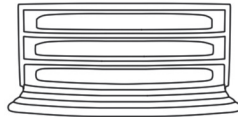
1x M4 Bolt



1x M4 Nut



1x M4 Washer



Bars



Ashpan Cover

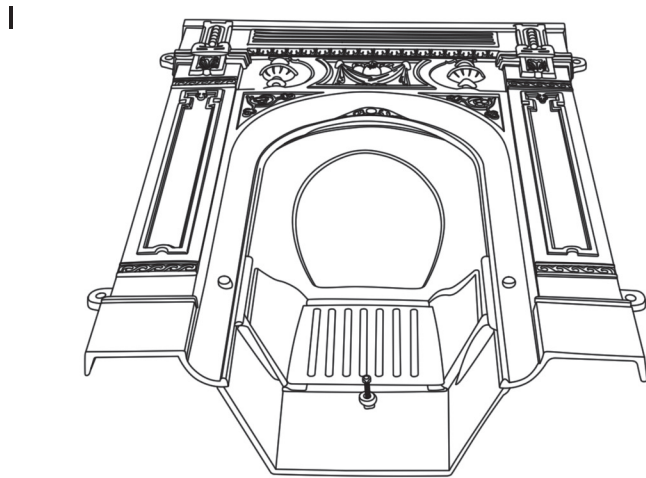


1x M6 Nut

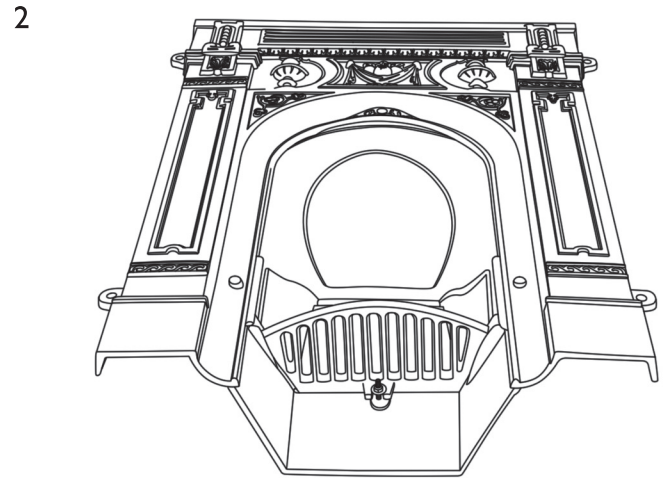


1x M6 Washer

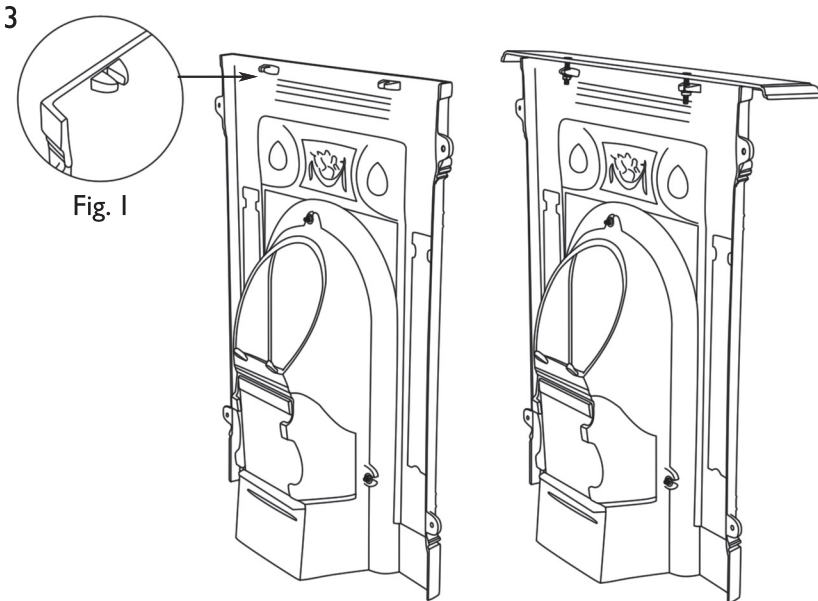
Please note, a flat head screwdriver and spanner are required to assemble this fireplace.



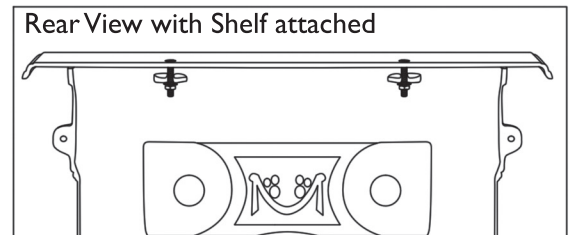
Lay Fireplace Fascia on back and insert the Firebrick and 1x M6 Grub



Insert Grate into the grooves on the Fireplace Back, passing the fixing lug over the M6 Stud. Secure in place with 1x M6 Washer and 1x M6 Nut.



Rest the Shelf on the Fireplace Fascia and insert 2x M8 Bolts through the holes on the shelf ensuring they pass through fixing lugs (Fig. 1) on the back of the Fireplace Fascia. 2x M8 Washers and 2x M8 Nuts should be used to secure the shelf.



Rear View with Shelf attached

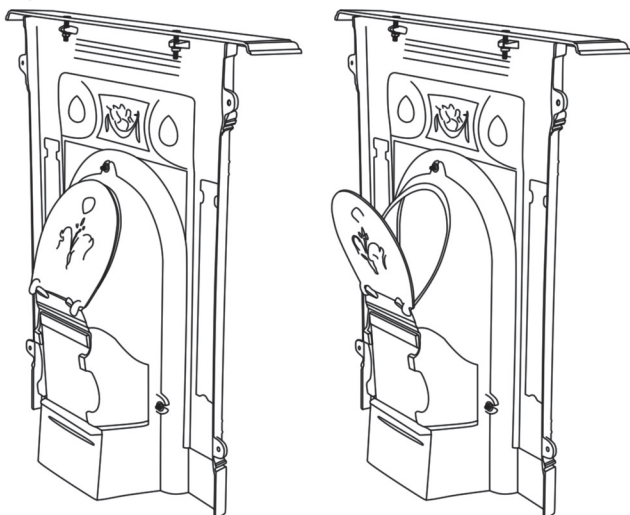
**Carron**

[www.carronheating.co.uk](http://www.carronheating.co.uk)

T: 01400 263 319 | E: [sales@carronheating.co.uk](mailto:sales@carronheating.co.uk)

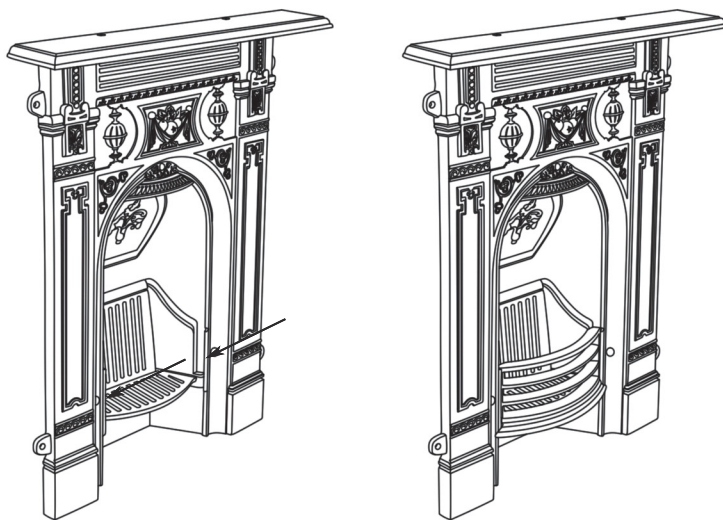
# The Victorian Small Combination Assembly Guide

4



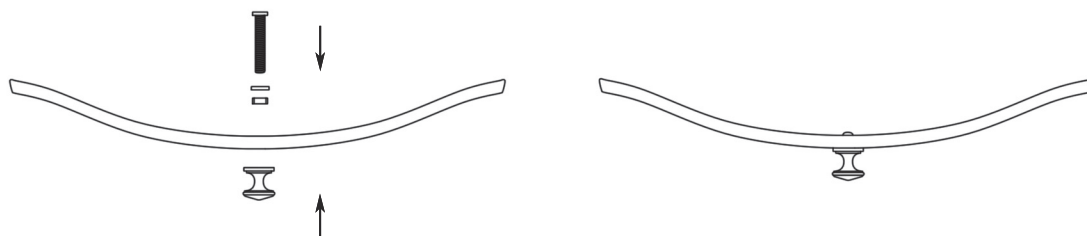
Rest the Damper Plate onto the groove on the back of the Fireplace Fascia.

5



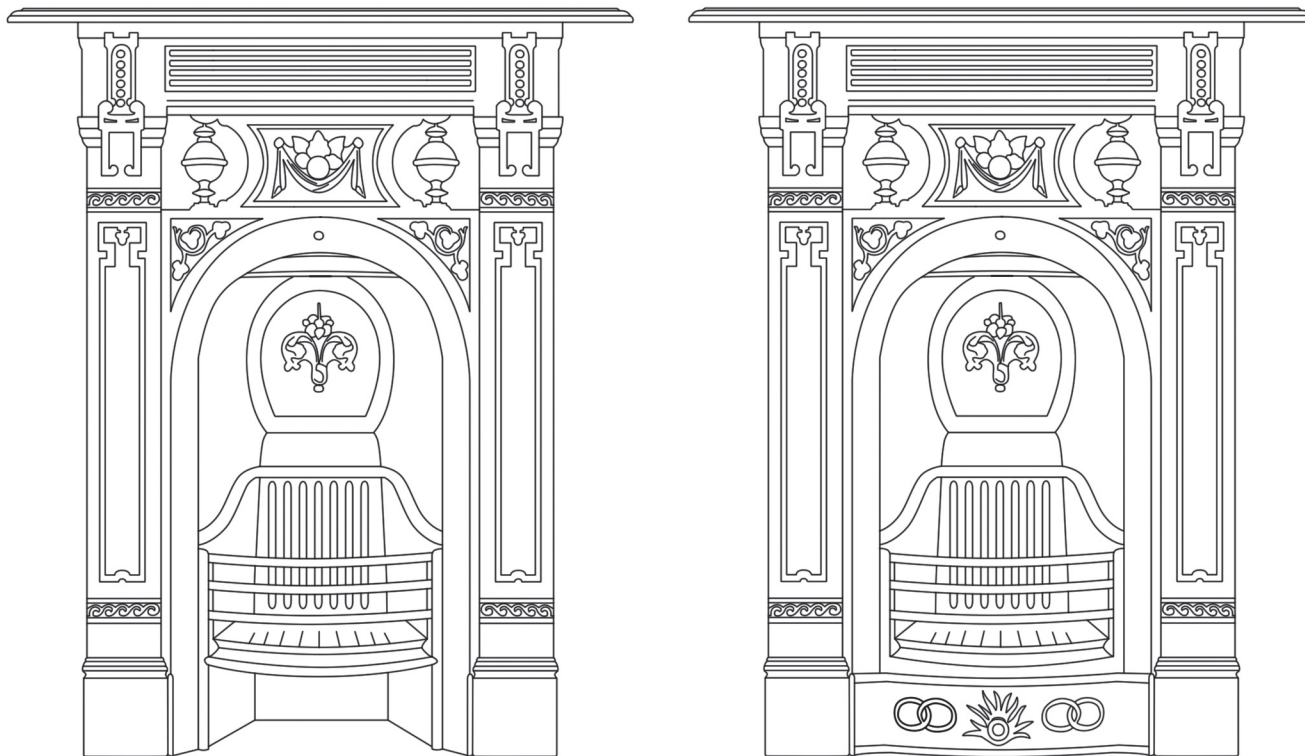
Slot Bars into the grooves on the front of the Fireplace Fascia

6



Attach the Ashpan Handle to the Ashpan using 1x M4 Bolt, 1x M4 Washer and 1x M4 Nut.

7



To complete, place Ashpan Cover below Grate and Bars on the front of the Fireplace.

*Carron*

[www.carronheating.co.uk](http://www.carronheating.co.uk)

T: 01400 263 319 | E: [sales@carronheating.co.uk](mailto:sales@carronheating.co.uk)